

33/34

电磁屏蔽锁紧直接头



EMC Straight fitting with strain relief

材质：尼龙 66，黄铜镀镍螺纹

Material: Polyamide 66, Nickel plated brass thread

颜色：黑色 / 灰色

Colour: Black(BL) /Grey(GR)

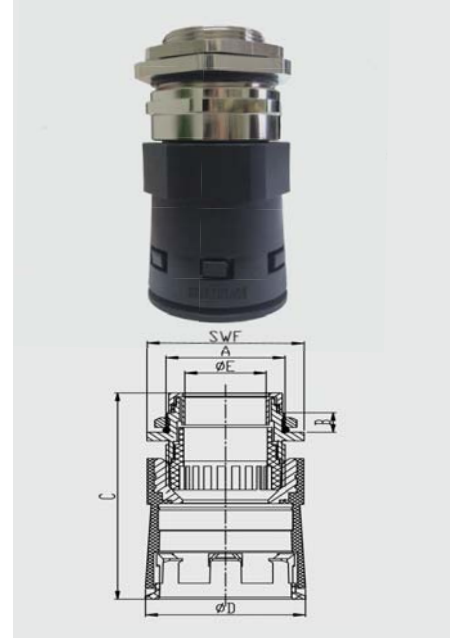
Temperature range: -45°C ~ +120°C, short-term to 150°C

防护等级：IP66, IP68(与软管及 RLS 密封垫配合使用)

Protection Degree: IP66, IP68(For use with conduits & RLS seal)

特性：高屏蔽和低耦合阻力，能屏蔽电信号和磁场等干扰信号，便于快速安装，并能紧固所穿电缆。

Properties: High shielding alternation and low coupling resistance. Disturbance signals such as electrical signals and magnetic fields will be discharged to the housing/casing. Easy and quick installation. Fasten the cable.



CE UL测试 EN45545

M 螺纹

适配软管尺寸 Fits to Conduit size	型号 Part no.	螺纹 A Thread	B	C	D	E	F	包装(个) Packing
28	RL28-M25-AJ(10-16)/EMV-AD-7	M25X1.5	7.0	77.8	36.5	14.8	30.0	50
28	RL28-M25-AJ(10-16)/EMV-AD-12	M25X1.5	12.0	82.8	36.5	14.8	30.0	50
28	RL28-M25-AJ(13-18)/EMV-AD-7	M25X1.5	7.0	78.2	36.5	14.8	35.0	50
28	RL28-M25-AJ(13-18)/EMV-AD-12	M25X1.5	12.0	83.2	36.5	14.8	35.0	50
34	RL34-M32-AJ(15-22)/EMV-AD-8	M32X1.5	8.0	84.1	43.0	21.8	40.0	50
34	RL34-M32-AJ(15-22)/EMV-AD-13	M32X1.5	13.0	89.1	43.0	21.8	40.0	50
34	RL34-M32-AJ(18-25)/EMV-AD-8	M32X1.5	8.0	86.5	43.0	21.8	40.0	50
34	RL34-M32-AJ(18-25)/EMV-AD-13	M32X1.5	13.0	91.5	43.0	21.8	40.0	50
42	RL42-M40-AJ(18-25)/EMV-AD-8	M40X1.5	8.0	100.8	53.0	29.8	45.0	25
42	RL42-M40-AJ(18-25)/EMV-AD-13	M40X1.5	13.0	105.8	53.0	29.8	45.0	25
42	RL42-M40-AJ(22-32)/EMV-AD-8	M40X1.5	8.0	103.0	53.0	29.8	45.0	25
42	RL42-M40-AJ(22-32)/EMV-AD-13	M40X1.5	13.0	108.0	53.0	29.8	45.0	25
54	RL54-M50-AJ(32-38)/EMV-AD-9	M50X1.5	9.0	108.0	66.0	39.8	55.0	20
54	RL54-M50-AJ(32-38)/EMV-AD-14	M50X1.5	14.0	113.0	66.0	39.8	55.0	20